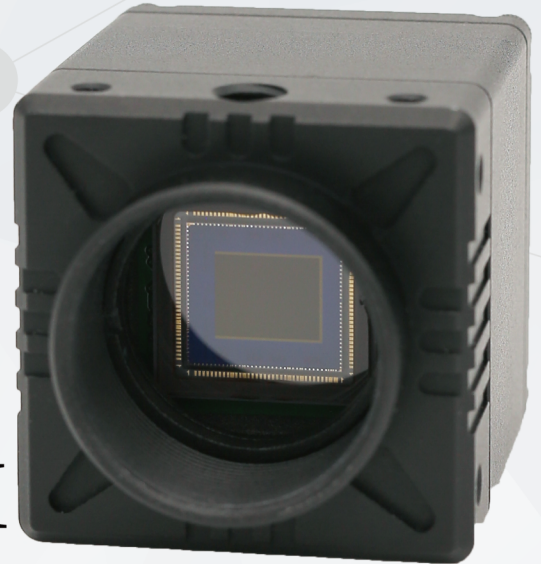




CX-A0500M/C/CIR-102

102FPS 2592 × 2056PX



Full resolution 2592 × 2056 pixels

Pixel size 3.4μm × 3.4μm

Standard CXP-6 interface

Customized ROI, frame rate can be increased by decreasing resolution



Global shutter, programmable gain and exposure time

Multiple formats: RAW8/RAW12

Support horizontal and vertical mirroring

Provide user data area, save algorithm parameters, configurations, etc



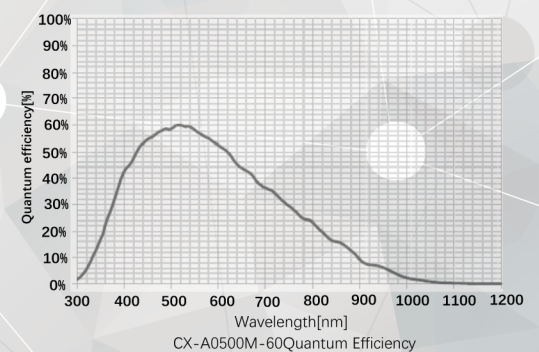
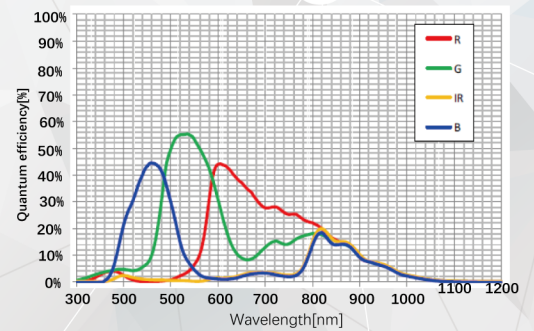
High resolution, high frame rate and cost-effective

GenICam compatible

PIXEL ARRAY



QUANTUM EFFICIENCY



Intelligent Imaging (Beijing) Science and Technology Ltd.

Headquarter : Shanghai HQ-VISION Technology CO, Ltd.

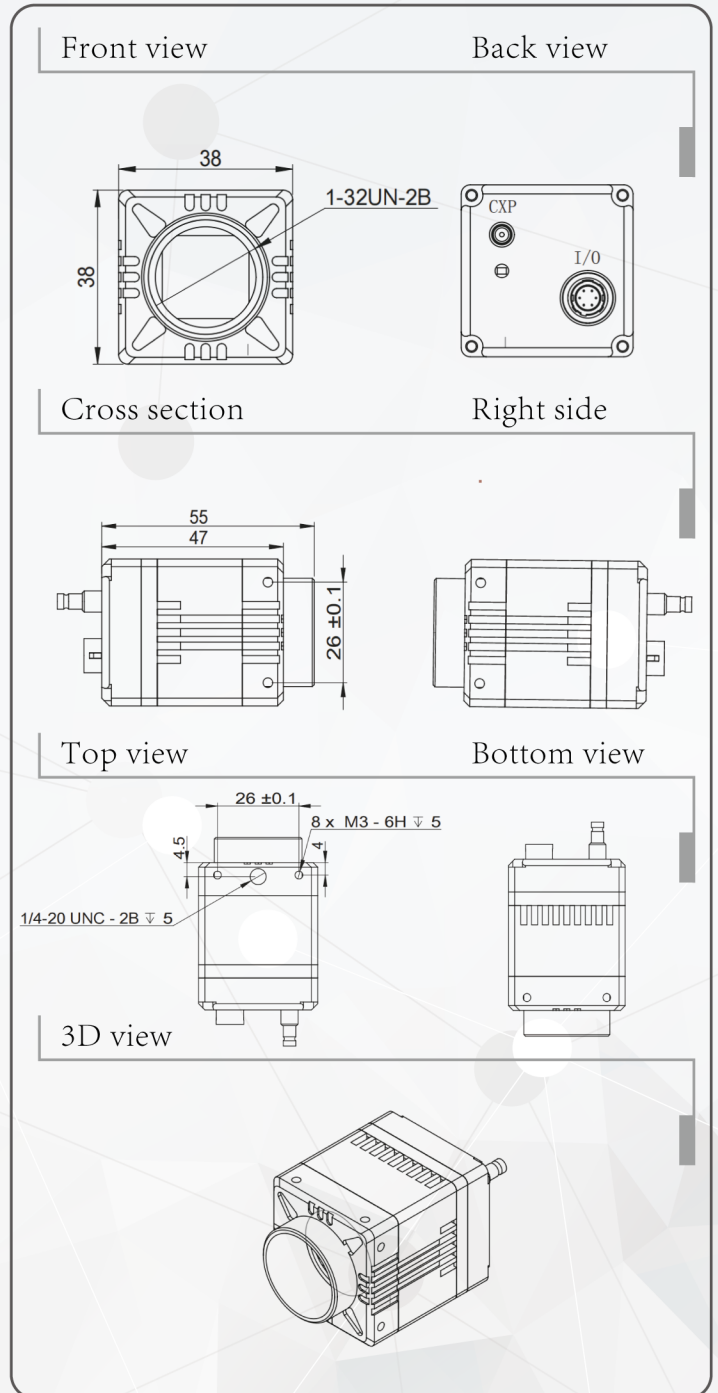
Tel:(86)10 82586860 00193 010-82586860

CX-A0500M/C/CIR-102

Part No | CX-A0500C-102 CX-A0500M-102 CX-A0500CIR-102

Dimensions: unit mm

Sensor	CMOS		
Color	RGB	MONO	RGB+NIR
Shutter Type	Global Shutter		
Sensor Size	2/3"		
Pixel Size	3.4um*3.4um		
Pixel Array	2592X2056		
Speed	102fps		
Data	8/12bits		
Interface	CoaxPress V1.1, CXP3, CXP5 or CXP6		
Dynamic range	73.2dB		
Lens Mount	C mount		
Internal Memory	128Mbytes DDR3		
Working Temperature	0°C to 60°C		
Power	Pocxp		
Weight	<200g		
Dimensions	38*38*55mm		



Intelligent Imaging(Beijing) Science and Technology Ltd.
 Add: Rm.713-A,7th floor,Building 1st of No. 138 of North Ma Lianwa Rd,
 HaiDian District, Beijing, China.
 Tel:(86)10 82586860a 100193 010-82586860
 Headquarter : Shanghai HQ-VISION Technology CO, Ltd.
 website : www.hqvision.cn