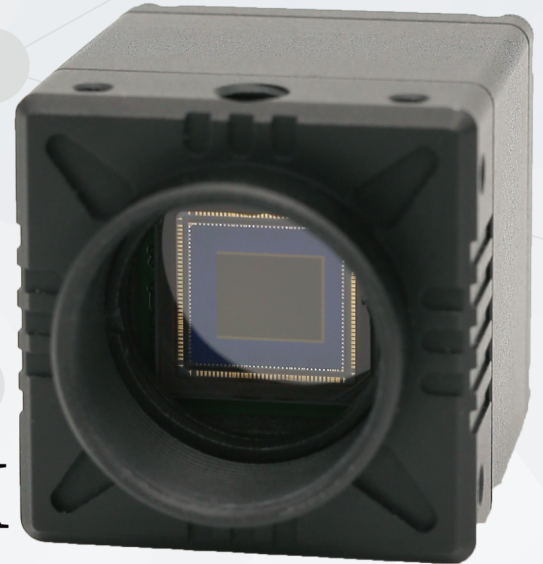


# USB3.0 CAMERA

## U3-A0500M/C/CIR-60

# 60FPS 2592×2056PX



Full resolution 2592×2056 pixels

Pixel size 3.4μm×3.4μm

Customized ROI, frame rate can be increased by decreasing resolution

Multiple formats: RAW8/RAW12

Supports horizontal and vertical mirroring



Support optocoupler isolation external trigger, signal filtering, flash

Synchronization control

Provide user data area, save algorithm parameters, configurations, etc



USB 3.0 interface, plug and play, without external power supply

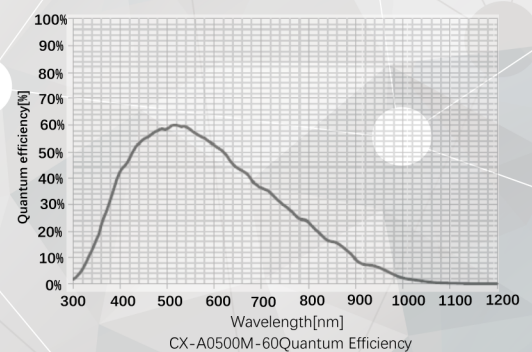
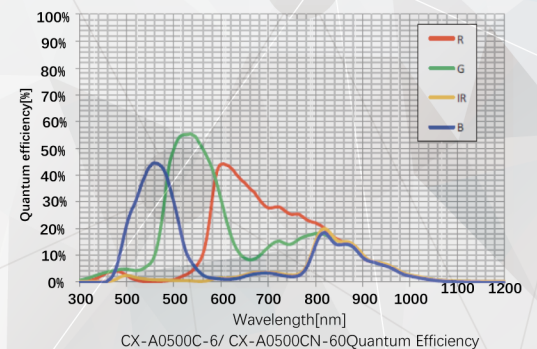
All metal shell, four side fixing holes and cable locking device

High resolution, high frame rate and cost-effective

### PIXEL ARRAY



### QUANTUM EFFICIENCY



Intelligent Imaging (Beijing) Science and Technology Ltd.

Headquarter : Shanghai HQ-VISION Technology CO, Ltd.

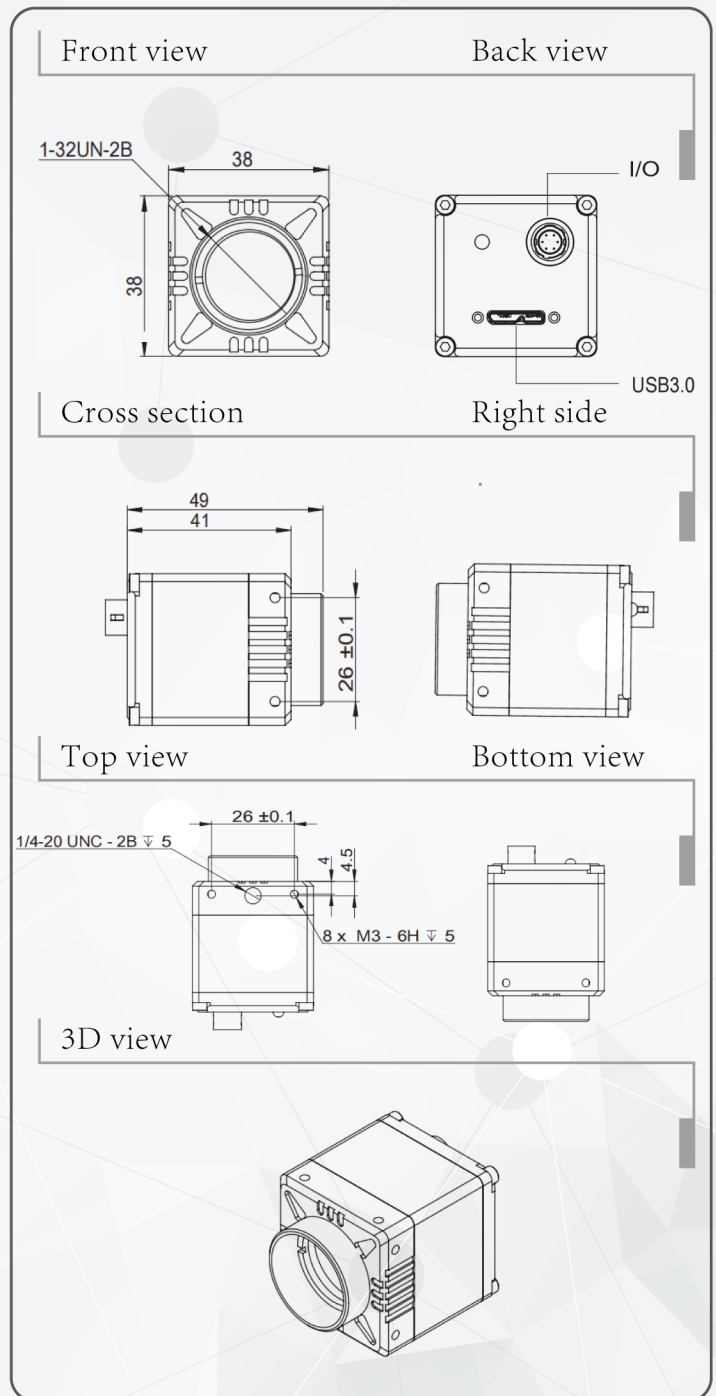
Tel:(86)10 82586860 00193 010-82586860

# U3-A0500M/C/CIR-60

Part No | U3-A0500C-60 U3-A0500M-60 U3-A0500CIR-60

Dimensions: unit mm

Sensor	CMOS		
Color	RGB	MONO	RGB+NIR
Shutter Type	Global Shutter		
Sensor Size	2/3"		
Pixel Size	3.4um*3.4um		
Pixel Array	2592X2056		
Speed	60fps		
Data	8/12bits		
Interface	USB 3.0		
Dynamic range	73.2dB		
Lens Mount	C mount		
Internal Memory	128Mbytes DDR3		
Working Temperature	0°C to 60°C		
Weight	96g		
Dimensions	38*38*55mm		



Intelligent Imaging(Beijing ) Science and Technology Ltd.  
 Add: Rm.713-A,7th floor,Building 1st of No. 138 of North Ma Lianwa Rd,  
 HaiDian District, Beijing, China.  
 Tel:(86)10 82586860a 100193 010-82586860  
 Headquarter : Shanghai HQ-VISION Technology CO, Ltd.  
 website : www.hqvision.cn