

Canon

KJ20x8.2B KRSD



INNOVATION
In TV Optics Since 1958

Toward 100 years anniversary

HDGC

KJ20x8.2B KRSD

Clear. Quick. Quiet.

Superior Performance and Easy Operation

As HD camera equipment continues to spread to all facets of professional video production, Canon has been expanding its HDgc lineup of cost-effective lenses for advanced professionals. To help meet this increasing demand for affordable high-quality HD ENG lenses, Canon is proud to introduce the KJ20x8.2B KRSD, achieving outstanding optical performance with a light weight of 1.25 kg and wider-angle focal length of 8.2mm.

Offering excellent operational mobility and outstanding optical performance, the KJ20x8.2B KRSD is ideal for wedding, corporate, and educational videographers, and will also play a vital role in broadcast news productions, which require an exacting level of performance. The KJ20x8.2B KRSD will help maximize your talents and deliver high-caliber production value to your projects.



Main Features

Outstanding Optical Performance

The KJ20x8.2B KRSD produces innovative performance with Canon's superb optical technology, Extraordinary Dispersion Glass (which is used in Canon's state-of-the-art Field/Studio box-type lenses), and other unique optical materials and coatings.

Chromatic aberration is suppressed across the entire lens surface, enabling sharp images with minimal distortion at any object distance. An optimal balance of resolution and contrast in peripheral areas of the image enables you to realize sharp and clear pictures. Canon's unique Multilayer optical coatings will effectively reduce ghost and flares from the sun, headlights, or other bright light sources.

Newly Developed Advanced Drive Unit

A newly-designed drive unit enables higher zoom speed—as little as one second of end-to-end zooming—ensuring that professional cameramen will never miss the shot during field production. The lens also provides steady, smooth operation in super-slow zooming.

Another advantage is quiet servo-operation, thanks to its optimum servo-motor construction, which also achieves faster zoom speed. This lens has been engineered (using 3D-CAD simulation) to eliminate servo-motor noise issues, enabling cameramen to zoom quickly and quietly to capture the moment.

The lens also features Canon's renowned ergonomically-designed Drive Unit to offer an easy-to-grip, operator-friendly use.

Also convenient is Shuttle Shot (see right page), a function which enables camera operators to pre-store zoom positions for instant recall on demand. Simple by design,* Shuttle Shot makes camera operation more reliable, supporting pinpoint zooming and ease of repetition.

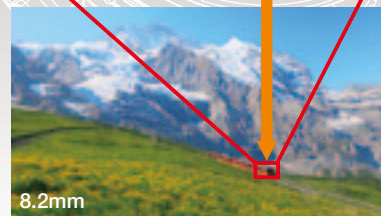
*Simply press a dedicated button to store desired Shuttle Shot zoom positions.

20x Zoom



164mm

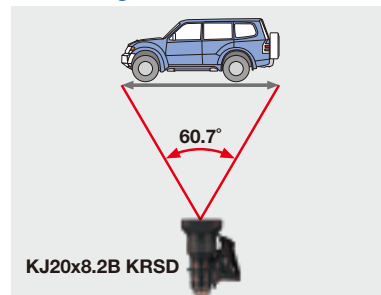
Faster zoom speed max.
1sec.



8.2mm

Maximum zoom speed 1sec. from wide end to tele end.

Wider angle 8.2mm



KJ20x8.2B KRSD

Wider focal length 8.2mm with horizontal 60.7° (16 : 9)

Additional Features

Optical Performance

HDTV Exceptional Optical Performance

- High MTF well controlled across image plane
- Reduced Chromatic Aberrations
- Effective countermeasures that significantly lower Ghosting and Flares

Minimum Focal Length of 8.2mm at Wide End

Widest angle of view within Canon's affordable 20x class



Enhanced Macro Function
Facilitates an effective M.O.D of 10mm (from lens front)

Broad Range of Focal Length 8.2mm-164mm

Short M.O.D. 0.9m

Servo & Mechanical Performance



Memo Switch

Switch that sets zoom positions for the Shuttle Shot function.

Maximum Zoom Speed 1.0sec.
from wide end to tele end.

Lightweight Design
1.25kg(2.76lbs)

New Ergonomic Drive Unit

The new ergonomically designed Drive Unit has been minimized in size and physically tilted to afford a comfortable grip and an improved balance. Overall, this significantly enhances the operator's tactile connection with the lens.



Shuttle Shot Switch

Ribbed Surface

The ribbed surface on the bottom of the drive unit ensures a firmer grip and better overall operational control.

Grip Support

Allows a user to securely grip the drive unit without inadvertently pressing on the VTR or Shuttle Shot buttons.

Shuttle Shot Technology



Shuttle Shot is a Canon Exclusive Technology that enhances production capabilities. At the touch of a button, this feature allows the operator to zoom back and forth instantly between any two positions. It can be used to zoom to the telephoto position to check focus and then return instantly to the original position or you can "shuttle" between any two-zoom positions at any time.



Starting Point



Frame 1



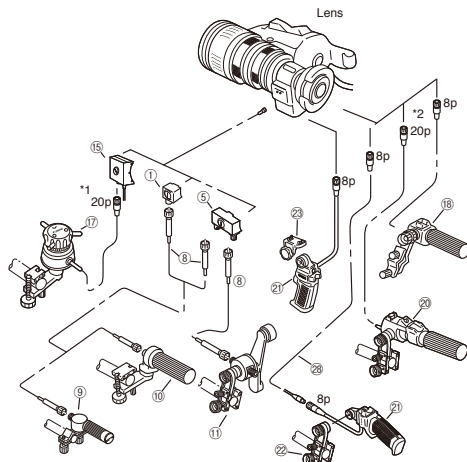
Frame 2

SPECIFICATIONS

KJ20x8.2B KRSD

	16:9	4:3
Image Size	2/3"	
Zoom Ratio	20x	
Range of Focal Length	8.2-164mm	
Maximum Relative Aperture	1:1.9 at 8.2-115.4mm 1:2.7 at 164mm	
Angular Field of View	60.7°×36.5° at 8.2mm 3.4°×1.9° at 164mm	56.4°×43.8° at 8.2mm 3.1°×2.3° at 164mm
Minimum Object Distance (M.O.D.)	0.9m (10mm with Macro)	
Object Dimensions at M.O.D.	98.2×55.2cm at 8.2mm 5.0×2.8cm at 164mm	90.1×67.6cm at 8.2mm 4.6×3.5cm at 164mm
Approx. Size	W×H×L = 163.3×103.0×181.8 mm	
Approx. Mass	1.25kg (2.76lbs)	
Thread for Filters	φ 82mm P0.75	

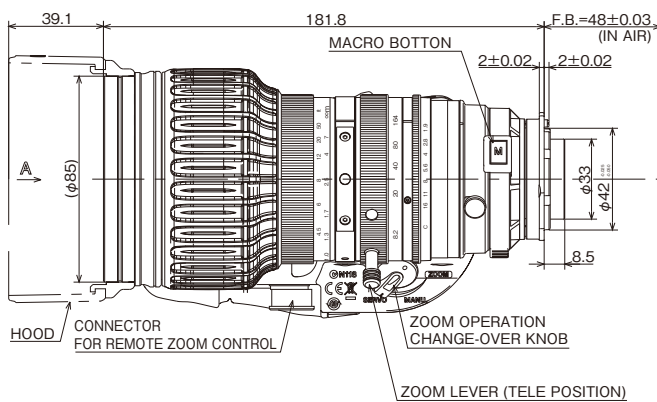
LENS CONTROLLERS



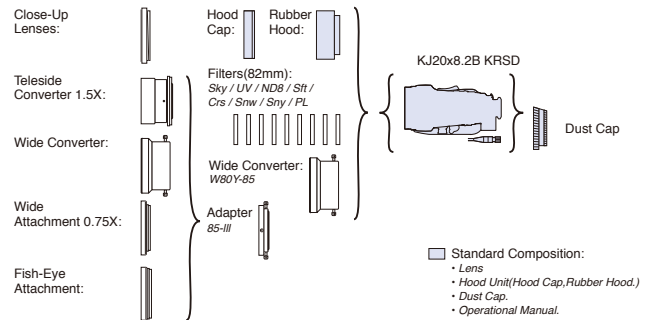
#	Unit	Description	#	Unit	Description
①	FM-12	Flex Focus Module	⑱	ZSD-15M II	Zoom Demand
⑤	FM-70	Flex Dual Module	⑳	ZSD-300D	Zoom Demand
⑧	FC-40	Flex Cable	㉑	ZSG-200M	Zoom Servo Grip
⑨	FFC-15	Flex Focus Controller	㉒	CR-10	Clamper
⑩	FFC-200	Flex Focus Controller	㉓	GA-70	Grip Adapter
⑪	FZC-100	Flex Zoom Controller	㉔	EC-80	Zoom Extension Cable (8P)
⑮	FPM-77	Focus Positional Servo Module	㉕	CC-0620	Conv. Cable (6pM-20pF)
⑰	FPD-400D	Focus Positional Demand	㉖	CC-0820	Conv. Cable (8pM-20pF)

*1 ㉕ CC-0620 conversion cable is necessary to connect between FPM-77 and FPD-400D.
*2 ㉖ CC-0820 conversion cable is necessary to connect between KJ20x8.2B KRSD and ZSD-300D.

DIMENSIONS



OPTICAL ACCESSORIES



TYPE	MODEL	TYPE	MODEL
Close-Up Lens	82CL-UP800H	Ultra Violet	UV/82P0.75
	82CL-UP1300H	Sky Light	SKY/82P0.75
Tele-side Converter	T15-II	Cross Screen	CRS/82P0.75
	T15HD-II *1	Snow Cross	SNW/82P0.75
Wide Converter	W80Y-85	Sunny Cross	SNY/82P0.75
	W80-IIIIB	Polarized Light	PL/82P0.75
	W80HD *1	Softon	SFT/82P0.75
Wide Attachment	WA75-II	ND4 (25% Transmittance)	ND4/82P0.75
	WA75HD *1	ND8 (12.5% Transmittance)	ND8/82P0.75
Fish-Eye Attachment	FEA-IIIIB		
	FEA-HD *1		
Adapter	Adapter85III		
Extender	X2.0-B4		

*1 The HD quality accessories offer higher optical performance.
*2 The filters are to be attached to front of lens.

North & South America Canon U.S.A., Inc.

Imaging Technologies & Communications Group
Broadcast and Communications Sales & Marketing
Division (Headquarters)
65 Challenger Road, Ridgely Park, NJ 07660
Tel: +1(201)807-3300/(800)321-4388
Fax: +1(201)807-3333
Email: bctv@usa.canon.com
http://www.canonbroadcast.com/

Chicago

100 Park Blvd. Itasca, IL 60143
Tel: +1(630)250-6236 Fax: +1(630)250-0399

Atlanta

5625 Oakbrook Pkwy. Norcross, GA 30093
Tel: +1(770)849-7890 Fax: +1(770)849-7888

Los Angeles

15955 Alton Parkway Irvine, CA 92618
Tel: +1(949)753-4330 Fax: +1(949)753-4337

Dallas

3200 Regent Blvd. Irving, TX 75063
Tel: +1(972)409-8871 Fax: +1(972)409-8869

Latin America

Tel & Fax: +1(954)757-0980

Canada

Canon Canada, Inc.
Broadcast and Communications Div.
6390 Dixie Road
Mississauga, Ontario, L5T 1P7, Canada
Tel: +1(905)795-2012 Fax: +1(905)795-2140

Europe/Africa/Middle East

Canon Europe Ltd

Broadcast products Div.
3 The Square, Stockley Park
Uxbridge Middlesex
United Kingdom UB11 1ET
Tel: +44 (0)20 8588 8140
Fax: +44 (0)20 8588 8603
Email: tvprod@canon-europe.com
http://www.canon-europe.com/tv-products/

Australia

Canon Australia Pty. Ltd.
Optical Products Division
1 Thomas Holt Drive, North Ryde, NSW 2113,
Australia
Tel: +61(0)2-9805-2000 Fax: +61(0)2-9805-2444

China

Canon (China) Co., Ltd.

Broadcast Equipment Products
15F Jinbao Building No.89 Jinbao Street
Dongcheng District, Beijing 100005, China
Tel: +86-10-8513-9999 Fax: +86-10-8513-9128
http://www.canon.com.cn

Canon Hongkong Co., Ltd.

19F The Metropolis Tower, 10 Metropolis Drive,
Hungghom, Kowloon, Hong Kong
Tel: +852-2170-2828
http://www.canon.com.hk

Asia/Japan

Canon Inc. (ICP GROUP 5)

30-2, Shimomaru 3-chome, Ohta-ku, Tokyo
146-8501, Japan
Tel: +81(0)3-3757-7453 Fax: +81(0)3-3757-7086
http://www.canon.com/bctv

Canon Singapore Pte Ltd.

1 HarbourFront Avenue, #04-01 Keppel Bay Tower,
Singapore 098632
Tel: +65-6799-8888
http://www.canon.com.sg

Canon Korea Consumer Imaging Inc.

Canon Bldg. 5F, 168-12 Samseong-dong,
Gangnam-gu, Seoul, 135-090, Korea
Tel: +82-2-2191-8500
http://www.canon-ci.co.kr

Specifications subject to change without notice.